

ProSeries[®]₇₆₈

High Resolution Printing to Meet Your Requirements

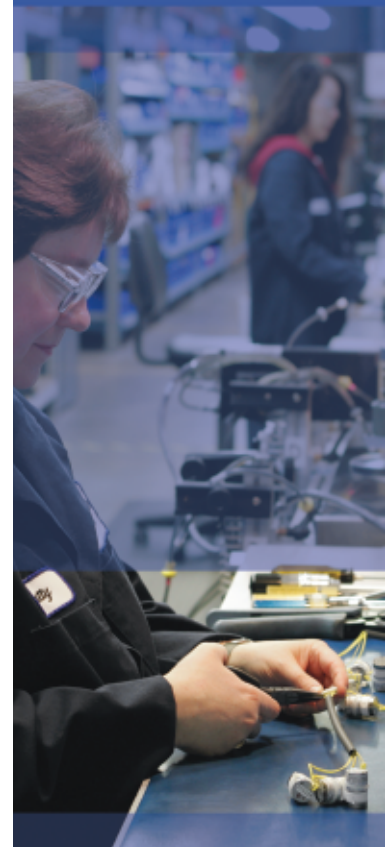
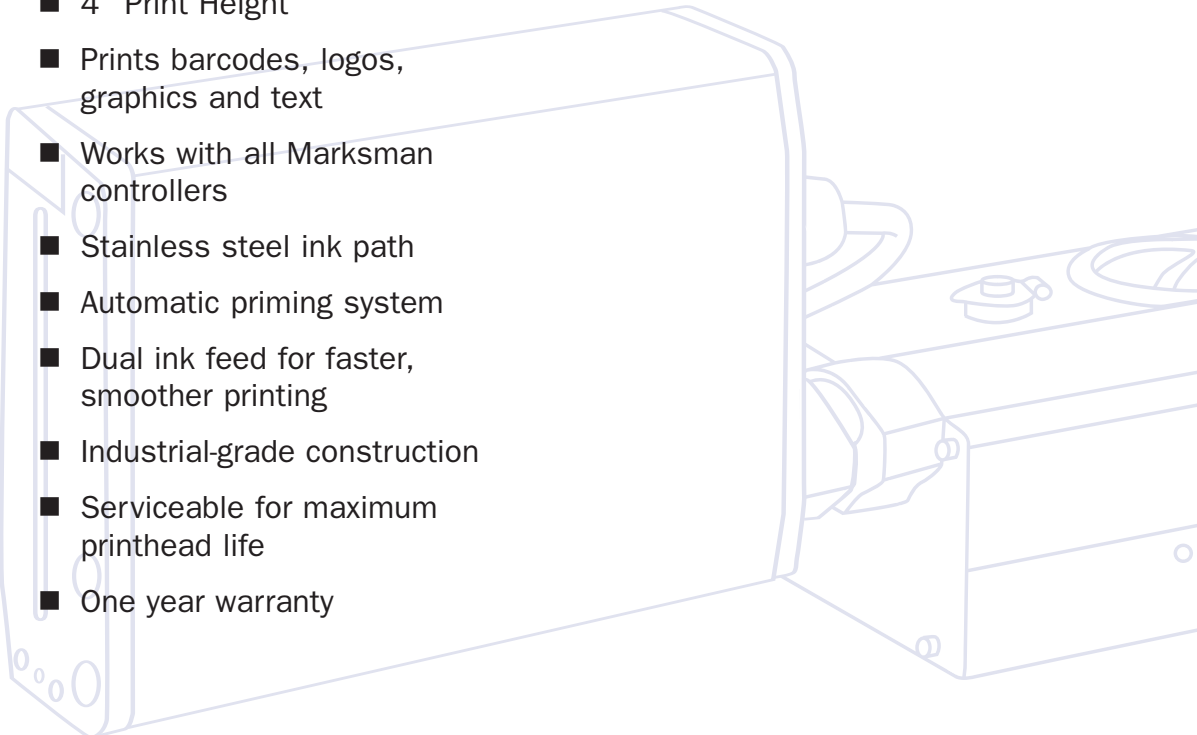
This first class printhead prints crisp 4" tall alphanumeric text, graphics and barcodes.



ProSeries[®]₇₆₈

ProSeries 768 Features and Benefits:

- 4" Print Height
- Prints barcodes, logos, graphics and text
- Works with all Marksman controllers
- Stainless steel ink path
- Automatic priming system
- Dual ink feed for faster, smoother printing
- Industrial-grade construction
- Serviceable for maximum printhead life
- One year warranty

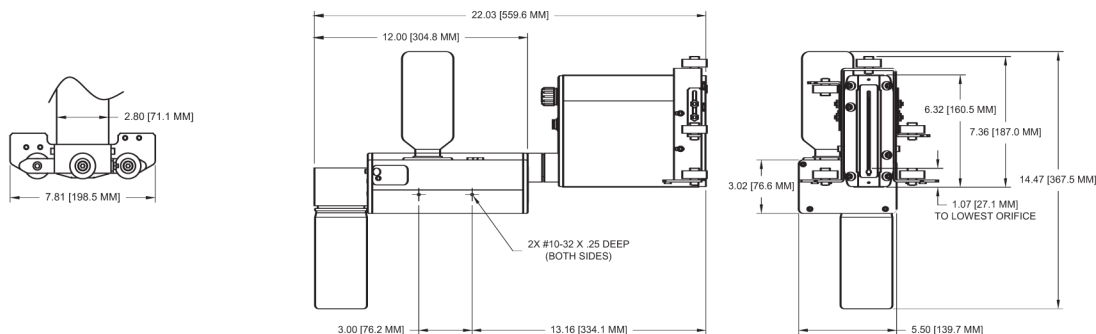


Specifications

ProSeries[®] 768



Dimensions (with the optional roller nose piece)



Printheads

Print Height	Image area up to 4"
Print Orientation	Integrated – horizontal or horizontal angle
Mounting Angle	90°
Orifices/Channels	768/256
Lines of Print	Up to 42 lines
Horizontal Resolution	150 or 300 dpi
Throw Distance	Up to 1/8"
Operating Conditions	Temperature: 50° - 104° F (10° - 40° C) Relative humidity: 20% - 80% (non-condensing)
Storage Conditions	Temperature: 32° - 109° F (0° - 43° C) Relative Humidity: 20% - 80% (non-condensing)
Cable Lengths	30" standard, 10' and 25' extensions available

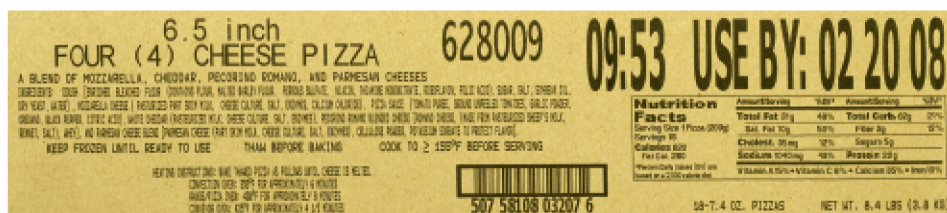


The ProSeries 768 is the perfect replacement for expensive labeling, stacked printheads, disposable printhead technology and preprinted boxes.

Inks & Ink Delivery System

Priming	Automatic Priming System, standard
Ink Delivery	Dual feed system
Sensors	Float switch low ink sensor and full waste bottle sensor
Ink	ScanTrue II black
Substrates	Formulated for porous surfaces
Applications	Formulated for barcodes, logos, graphics and text messages
Drying Time	Less than 1/4 second on porous surfaces
Characters/ML	199,800 characters at .375" height (10 mm) 173,160 characters at .5" height (12 mm) 37,106 characters at 1" height (25 mm) 19,604 characters at 2" height (51 mm) 9,802 characters at 4" height (102mm)

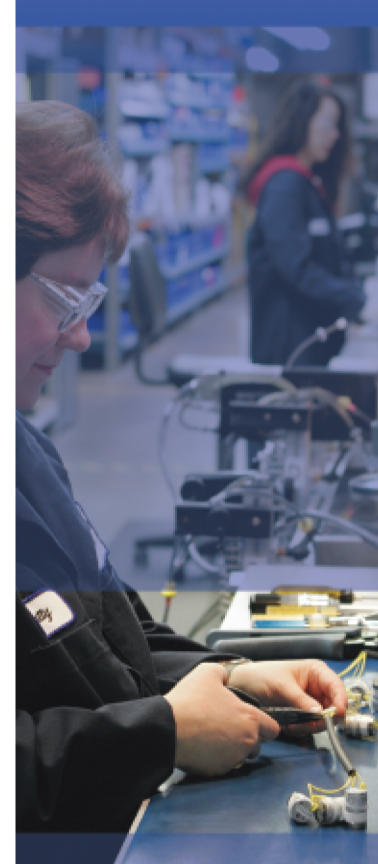
Print Sample



Distributor Information



Superior Case Coding, Inc.
635 N. Twin Oaks Valley Rd. #12, San Marcos, CA 92069
Toll Free 800-996-7188
www.superiorcasecoding.com
Phone 760-744-5211 Fax 760-744-5232



1 Missouri Research Park Drive • St. Charles, MO 63304
Ph: 800.369.5384 • Web: www.foxjet.com • E: email@foxjet.com